

ST660(P)



	<b>Mounting Pattern</b> 824 x 405mm (32.44" x 15.95")	<b>Max Load</b> 200lb (91kg)
--	---	------------------------------------

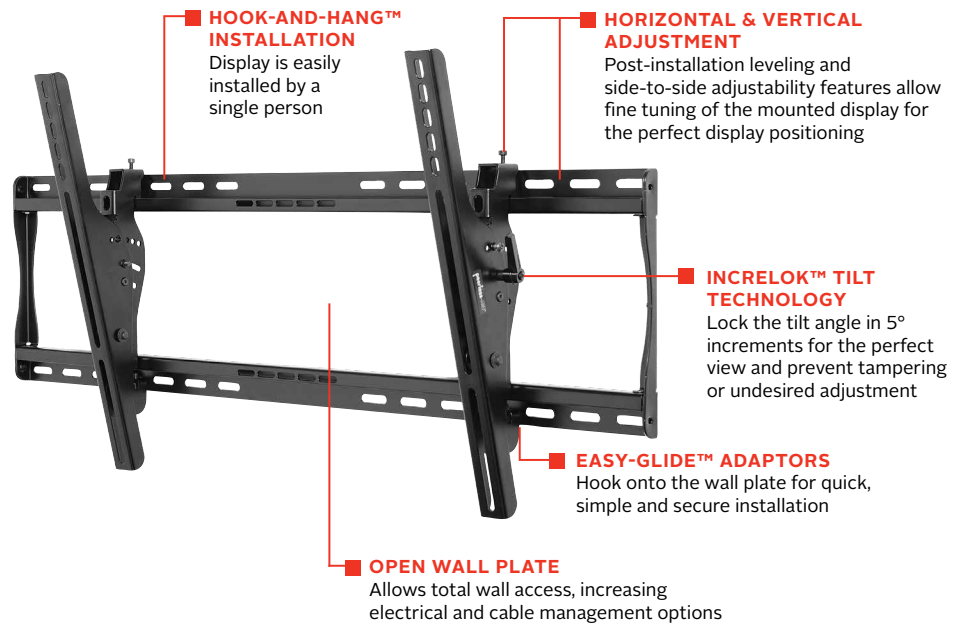
**SMARTMOUNT**

# Universal Tilt Wall Mount

FOR 39" TO 80" DISPLAYS\*

The SmartMount® Universal Tilt Wall Mount series offers the most versatile installation features and mounting options. Horizontal and vertical adjustment abilities allow for post installation leveling and side-to-side positioning, making it easier than ever to find the perfect TV position. Lock the tilt angle at installation to prevent tampering or moving with the IncreLok™ tilt technology. Security screws provided in the ST660 models deter tampering and theft. The open wall plate design offers total wall access, increasing the electrical and cable management options. The display can now simply be installed by a single person with the Hook-and-Hang™ system. The Easy-Glide™ adaptors hook onto the wall plate for an overall quick, simple and secure installation.

- Universal mount fits displays with mounting patterns up to 824 x 405mm (32.44" W x 15.95" H) and accommodates up to 800 x 400mm VESA® patterns
- Adjustable 15° forward tilt and 5° backward tilt for finding the optimal viewing angle
- Easy-Grip™ ratcheting handle locks tilt angle into place
- Up to 0.25" (6mm) of vertical adjustment on each universal display adaptor bracket for post-installation leveling and height adjustment fine-tuning
- Horizontal display adjustment up to 8.00" (203mm) for centering display on wall
- Includes all necessary wall and display attachment hardware
- Integrated security options available
- Design is UL listed and tested to four times stated load capacity
- For mounts requiring theft resistant hardware, installed with security tool (included), please purchase ST660
- For mounts requiring standard hardware, installed with a Philips screwdriver, please purchase ST660P



+15°/-5° of tilt for versatile viewing angles.



Comes in color packaging with included installation hardware and easy to follow instructions.



Please visit [peerless-av.com/en-us/patents](http://peerless-av.com/en-us/patents) for patent information.

\*This display size range is simply a guideline for product selection. Displays larger than the screen size range may still be compatible as long as they fall within the VESA® pattern and max weight of the Peerless-AV® product.

<b>ST660P</b>	SmartMount® Universal Tilt Wall Mount for 39" to 80" Displays - Standard Models
<b>ST660</b>	SmartMount® Universal Tilt Wall Mount for 39" to 80" Displays - Security Models

**Product Specifications**

	DIMENSIONS (W x H x D)	PRODUCT WEIGHT	LOAD CAPACITY	FINISH	AVAILABLE COLORS
<b>ST660(P)</b>	36.54" x 16.89" x 2.62"-5.40" (928 x 429 x 67-137mm)	8.70lb (3.95kg)	200lb (91kg)	Scratch Resistant Fused Epoxy	Semi-Gloss Black

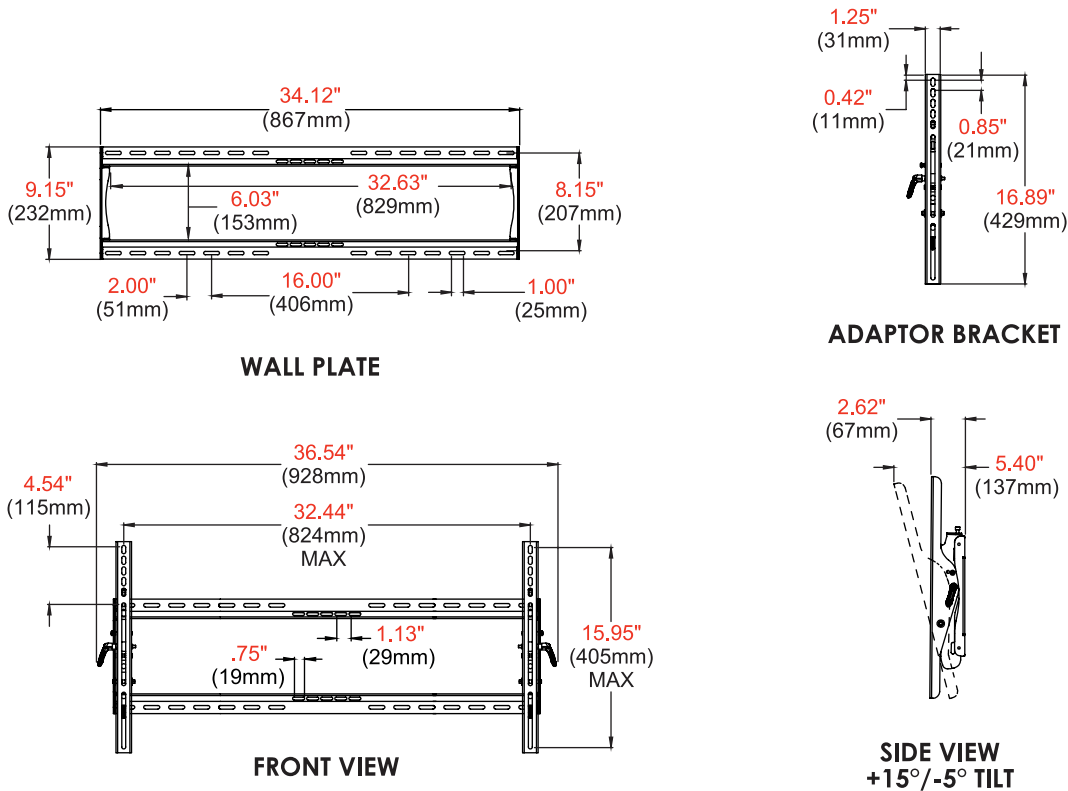
**Package Specifications**

	PACKAGE SIZE (W x H x D)	PACKAGE SHIP WEIGHT	PACKAGE UPC CODE	PACKAGE CONTENTS	UNITS IN PACKAGE
<b>ST660(P)</b>	36.41" x 2.95" x 10.71" (925 x 75 x 272mm)	11.00lb (4.99kg)	ST660: 735029235606 ST660P: 735029231875	Wall Mount, Wall and Display Installation Hardware, Installation Instructions	1

**Accessories**

<b>ACC415:</b> 4-pack Metal Stud Fastener Kit	<b>ACC-WMVCs:</b> Video Conferencing Shelf
<b>ACC309:</b> Video Conference Shelf	<b>ESHV models:</b> AV Wall Shelves
<b>ACC-UCM:</b> Universal AV Component Mount	<b>IBA4-W:</b> Easy Mount Recessed Low Voltage Cable Plate

All dimensions = inch (mm)



**Architect Specifications**

The SmartMount® Tilt Wall Mount shall be a Peerless-AV model ST660(P) and shall be located where indicated on the plans. Assembly and installation shall be done according to instructions provided by the manufacturer.

Visit [peerless-av.com](http://peerless-av.com) to see the complete line of AV solutions from Peerless-AV, including outdoor displays, kiosks, digital audio, display mounts, projector mounts, carts/stands, and a full assortment of accessories.

**Peerless-AV**  
2300 White Oak Circle  
Aurora, IL 60502 USA  
**(800) 865-2112**  
**(630) 375-5100**  
**Fax: (800) 359-6500**

**Peerless-AV EMEA**  
Unit 3 Watford Interchange  
Colonial Way, Watford  
Herts, WD24 4WP  
United Kingdom  
**+44 (0) 1923 200100**  
**Fax: +44 (0) 1923 200101**

**Peerless-AV Latin America**  
Av. de las Industrias 413  
Parque Industrial Escobedo  
General Escobedo, N.L.,  
México, 66062  
**+52 (81) 8384-8300**  
**Fax: +52 (81) 8384-8360**

